



Semi Conductor Fuse Holders

600 Volt

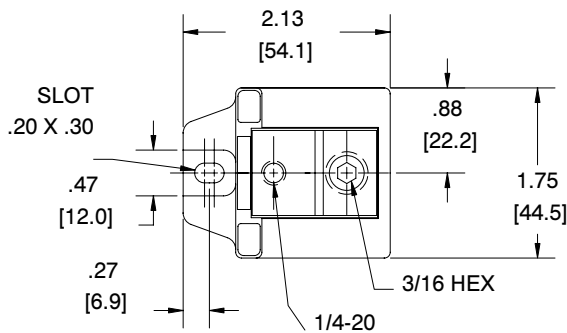
Box Version - Specifications:

- 200,000 Amp Withstand Rating
- Insulator Base, General Purpose Phenolic, 150°C (UL RTI)
- Hex-Head Bolts and Belleville Washers Provided Unassembled
- Connector - Aluminum, Tin Plated
- Dove-tail Interlocking Feature on 1MS101
- Two-piece Modular Design
- UL Recognized File No. IZLT2.E35113
- RoHS Compliant
-  

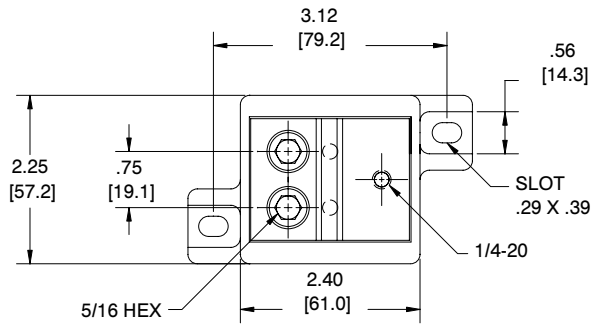


Catalog #	Maximum Amperage	Wire Range	Tested At:	
			I ² t	I _p
1MS101	100	2/0 - #14	193 kA	27.4 kA
1MS102	400	(2) 250 kcmil - #6	3480 kA	69.5 kA
1MS103	400	(2) 250 kcmil - #6	3480 kA	69.5 kA
1MS104	600	(2) 500 kcmil - #6	2840 kA	50.8 kA

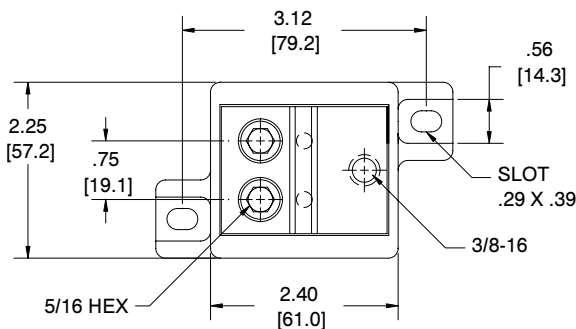
NOTE: Order two blocks per fuse



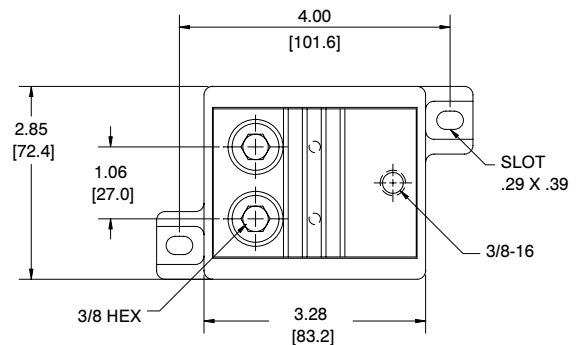
1MS101



1MS102



1MS103



1MS104

For electronic drawings or 2D/3D CAD data, submit request at www.marathonsp.com/drawings.html